

# ColorCHOICE™

## LED PORTABLE SPA LIGHTING SYSTEM

Easy Customization. Full Expandability. Ultimate Spa Illumination.

### THE ALL NEW ColorCHOICE XT-1 by J&J Electronics®

ColorCHOICE XT-1 lighting systems integrate into portable spas\*, fountains, waterfalls and water features to provide spectacular water color saturation with multiple lighting modes. This fully customizable, multi-color LED lighting system offers six solid colors and four light shows. ColorCHOICE XT-1 features the brightest, high powered, wide angle LEDs on the market and an external 8 bit microprocessor for smooth color transitions and light uniformity.

### EXPERIENCE FREEDOM OF CHOICE

ColorCHOICE XT-1 is pre-programmed with six solid colors and four light shows. Plus, custom programming is available to create light shows and solid colors suitable for any application. Light show and solid color selection works using existing lighting controls for simple system integration during manufacturing and easy end user control. All lights in a system automatically synchronize to produce a highly personalized lighting experience.

### FEATURES & BENEFITS:

- Improved light heads with brighter, wide angle LEDs provide maximum illumination
- Modular components offer limitless system configurations
- Choice of controllers to support up to 50 points of light
- External 8 bit microprocessor for smooth color transitions and light uniformity
- Works with existing power supplies and lighting controls\*
- Low voltage 12VAC system
- Custom light show programming available\*\*

\* ColorCHOICE XT-1 is not designed to operate in spas equipped with dimming systems.

\*\* Restrictions and qualifications may apply. Contact your J&J Sales Representative for service details and pricing

### 6 Brilliant Colors and 4 Color Transition Programs

#### Color Programs:

- Tidal Fade - Cool color mix; slow transitions between green and blue tones
- Afterburner Fade - Warm color mix; slow transitions between red and orange tones
- Spectrum Slowdance - slow transitions between all six colors
- Color Burst - fast strobe through all six colors



Red



Green



Blue



White

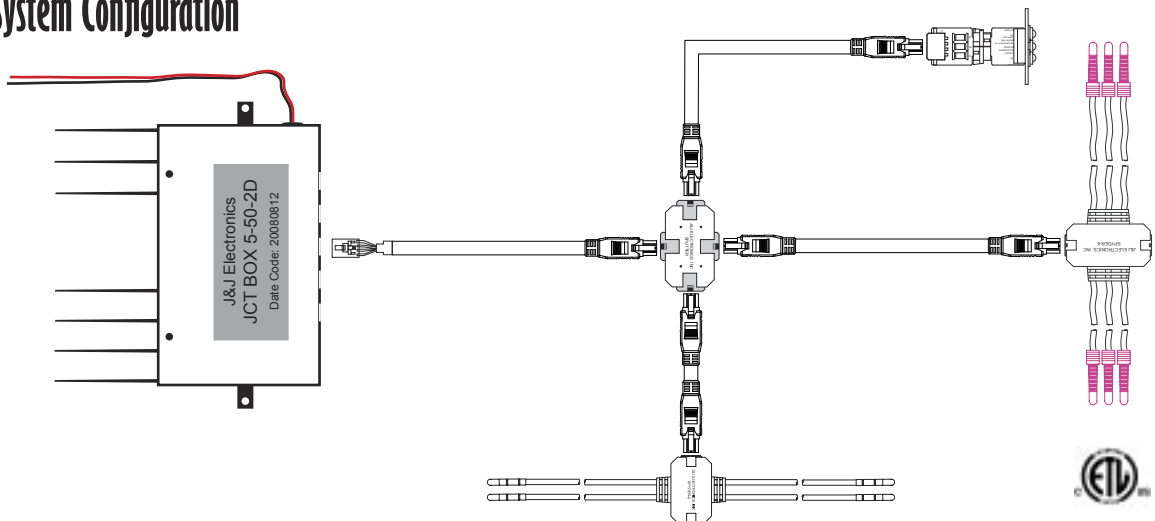


Magenta



Orange

### Sample System Configuration

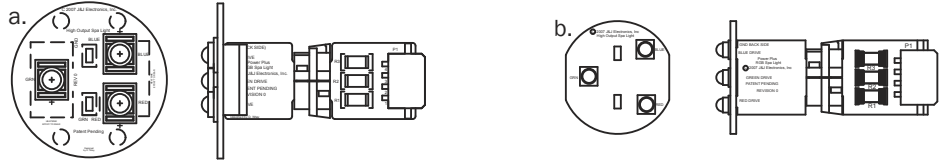


# ColorCHOICE™ LED PORTABLE SPA LIGHTING SYSTEM

Easy Customization. Full Expandability. Ultimate Spa Illumination.

## Light Heads

- a. Light head – large  
Size: LSL-LH-LG-A  
dia. 1.7"  
length 2.40"  
Amp Draw: 0.46 amps
- b. Light head – small  
Size: LSL-LH-SM-A  
dia. 1.2"  
length 2.4"  
Amp Draw: 0.20 amps



## Spyders

### Dimensions:

Connection Junction  
length 1.9" (including connector tabs)  
length 1.8" (excluding connector tabs)  
width 1.1"  
height 0.5"

Molded LED assembly  
length 1.4"

Booted LED assembly  
length 1.2"

### Amp Draw:

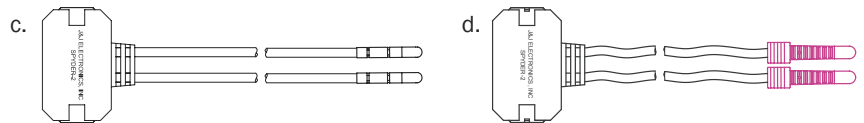
Spyder 2 (molded and booted versions)  
0.432 amps

Spyder 4  
0.864 amps

Spyder 6  
1.296 amps

### Parts:

		With Boot (c.)	Molded LED Assembly (d.)
Spyder 2	6"	LSL-SPR-A-2-6	LSL-SPR-A-2-1-6
	12"	LSL-SPR-A-2-12	LSL-SPR-A-2-1-12
	24"	LSL-SPR-A-2-24	LSL-SPR-A-2-1-24
	36"	LSL-SPR-A-2-36	LSL-SPR-A-2-1-36
Spyder 4	6"	LSL-SPR-A-4-6	LSL-SPR-A-4-1-6
	12"	LSL-SPR-A-4-12	LSL-SPR-A-4-1-12
	24"	LSL-SPR-A-4-24	LSL-SPR-A-4-1-24
	36"	LSL-SPR-A-4-36	LSL-SPR-A-4-1-36
Spyder 6	6"	LSL-SPR-A-6-6	LSL-SPR-A-6-1-6
	12"	LSL-SPR-A-6-12	LSL-SPR-A-6-1-12
	24"	LSL-SPR-A-6-24	LSL-SPR-A-6-1-24
	36"	LSL-SPR-A-6-36	LSL-SPR-A-6-1-36



## Controllers, Splitter, Cables & Accessories

e. Controller JCT BOX 5-50-2D  
length 4.9" (w/o mounting tabs)  
length 5.8" (with mounting tabs)  
width 3.27"  
height 1.42"

f. Controller JCT BOX 2-25  
length 3.27"  
width 3.27"  
height 1.42"

g. Splitter LSL-SPL  
length 1.9" (including tabs)  
length 1.8" (excluding tabs)  
width 1.2" (including tabs)  
width 1.1" (excluding tabs)  
height 0.5"

h. Cable (Controller to first spyder)  
48" - LSL-SC-A-48  
72" - LSL-SC-A-72  
96" - LSL-SC-A-96

i. Cable (spyder to spyder)  
6" - LSL-SC-6  
48" - LSL-SC-48  
72" - LSL-SC-72  
96" - LSL-SC-96

j. Point of Light Lens Nut 3/1 LENS NUT  
outer dia. - 0.6"  
height - 0.3"

k. Point of Light Lens 3/1 LENS  
(spyder with boot)  
lens dia. - 0.5"  
overall length - 1.2"  
lens tube outer dia. - 0.4"

m. Point of Light Lens Nut 3/1 LENS NUT-2  
outer dia. - 0.8"  
height - 0.9"

n. Point of Light Lens 3/1 LENS-2  
(spyder with molded LED assembly)  
lens dia. - 0.7"  
overall length - 1.7"  
lens tube outer dia. - 0.5"

